



Berkshire
ENGINEERED CLEAN

CONTAMINATION CONTROL
PRODUCT
CATALOG

USP <795>

USP <797>

USP <800>

USP <825>



Protecting Patients, Operators and the Environment

TABLE OF CONTENTS

Berkshire Introduction	3
Cleanroom Fundamentals	4
Wiper Substrate and Technology Guide	5 - 6
Wipers Selection Guide	
ISO Class 5 - Clean Area/PEC	7 - 8
ISO Class 6/7/8 - Buffer Area/Ante Area	9 - 11
BCR® Glove Liners	11
BCR® Face Masks	12
Lab-Tips® Swabs	13
Mop Systems & Accessories	14 - 22
Disinfectants	23 - 25

DID YOU KNOW?
 This catalog contains blocks of bonus information throughout.

Explore more tech tips and resources here:



Berkshire’s Learning Center is an online resource where you can explore tech tips and resources, trends and opportunities as well as product demos, selection tools and training.



Product information sheets - 24/7



Cleanroom spiral notebooks - record keeping



"Lint-Free" Wipers: Available Only Through Your Fairy Godmother



Cleaning an Aseptic Isolator



Particles on Surfaces: Part 5 — Cleaning Floors and Walls



How to Clean a Biological Safety Cabinet

DRIVING THE TECHNOLOGY OF **CONTAMINATION CONTROL**

BECAUSE THE SMALLEST MEASURE CAN MAKE THE BIGGEST DIFFERENCE

Berkshire is the global contamination control leader for cleanroom and controlled environment consumable products. We provide customers with technically advanced materials aimed at application specific performance solutions. For over 50 years Berkshire has understood and delivered world class manufacturing, reliable supply chain, the highest standards of quality, and technically advanced products.



WHY BERKSHIRE? Engineered Clean


- 1** **Quality Programs:**
ISO9001 Certified
SPC
CAPA system
FMEAs
IQ, OQ, PQ

Results:
Superior level of quality, consistency, traceability — the world's cleanest and trusted contamination control products

- 2** **How do you determine if your cleanroom cleaning supplies are right for your processes?**

Berkshire conducts facility audits that will result in an objective set of observations and recommendations resulting in improved processes and, lower Total Cost of Ownership (TCOO) and <USP> cleaning compliance.

- 3** **Global Support**



Documentation
Certificates of Sterility
Certificates of Irradiation
Certificates of Conformance
Certificates of Analysis
Safety Data Sheets
Product Information Sheets
Instructional Posters

People - Training
Customer Service Representatives
Contamination Control Specialists
Videos
Onsite Support

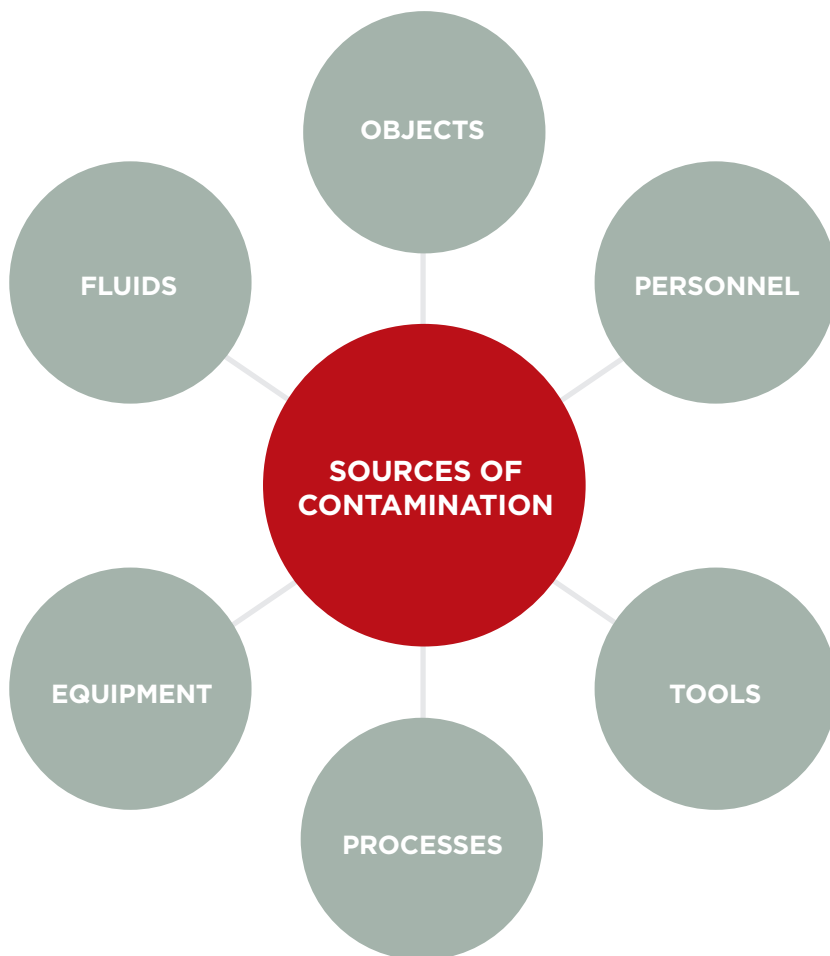
- 4** **Innovation**

Advanced Wiper Technology: DuoClean™, CapSure® - IONX®



CLEANROOM CONTAMINATION FUNDAMENTALS

WHAT YOU CAN'T SEE CAN HURT YOU



WHAT CAN YOU DO?

Follow a validated cleaning protocol with written SOPs

Choose and use qualified wipers and other cleanroom cleaning supplies

INVISIBLE & VISIBLE CONTAMINATION

SKIN PARTICLES

FIBERS

DUST

GREASE

ENDOTOXINS

VIRUSES

METALS

FUNGI

NVRS

IONS

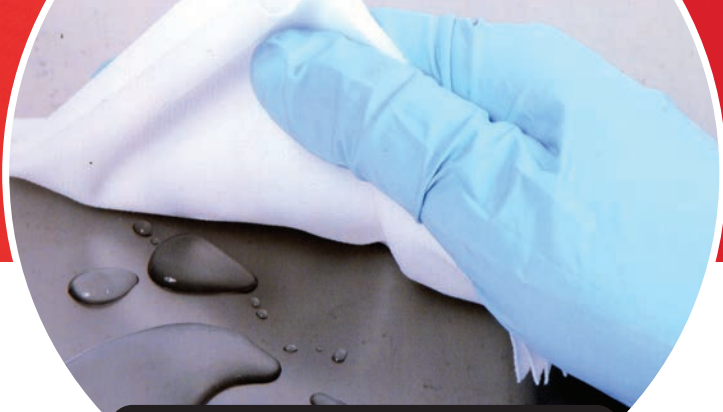
FILMS

SPORES

REMEMBER

Inappropriate cleanroom supplies can be a source of contamination, not a solution for controlling contamination

WIPER TEST METHODS



CLEANLINESS

Fibers

A wiper is “washed” in water using a biaxial shaker for five minutes. The fibers released into the water are filtered onto a membrane and counted microscopically. The results are expressed as fibers $\geq 100\mu\text{m}$ per square centimeter of wiper. [IEST-RP.CC004.3, Section 6.1.3/6.2.2]

A wiper is “washed” in water using an orbital shaker for five minutes. The fibers released into the water are filtered onto a membrane and counted microscopically. The results are expressed as fibers $\geq 100\mu\text{m}$ per square centimeter of wiper. [IEST-RP.CC004.4, Section 7.1.3/7.2.2]

Particles

A wiper is “washed” in water using a biaxial shaker for five minutes. A liquid-borne particle counter then tallies the particles released into the water. By dividing the total number of particles released by the area of the wiper, the results are expressed as particles $\geq 0.5\mu\text{m}$ per square centimeter of wiper. [IEST-RP.CC004.3, Section 6.1.3 / Section 6.2.1]

A wiper is “washed” in water using an orbital shaker for five minutes. A liquid-borne particle counter then tallies the particles released into the water. By dividing the total number of particles released by the area of the wiper, the results are expressed as particles $\geq 0.5\mu\text{m}$ per square centimeter of wiper. [IEST-RP.CC004.4, Section 7.1.3 / Section 7.2.1]

SKU specific test results can be found on Product Information Sheets located at berkshire.com

Airborne Particle/ Helmke Drum Test

Under controlled conditions, ten wipers are tumbled in a rotating drum to release particles from the wiper fabric. An airborne particle counter counts released particles and results are expressed as the number of particles per wiper per cubic foot of air sampled. (IEST-RP-CC003.4 Section B2.5)

Rate

This test is a measurement of the time it takes a wiper to absorb a liquid. Results are expressed in seconds. (IEST-RP. CC004.3, Section 8.2 - modified)

SORBENCY

Sorbency

A sample piece of material is saturated with as much fluid as it can hold. After one minute, the material is weighed, and results are expressed in millimeters of fluid per square meter. (IEST-RP.CC004.3, Section 8.1 - modified)

Efficiency

This calculation indicates how well a material absorbs, relative to others. Results, expressed in millimeters of liquid per gram of material, assist in comparing one raw material with another.

PURITY

Non-Volatile Residue

Berkshire generates non-volatile data using both deionized water and 2-Propanol. Results are expressed in grams of extractables per square meter of wiper, which is a useful guide to relative purity of wipers. (IEST-RP.CC004.3, Section 7.1.2)

Metallic Ions

Ions are extracted in deionized water and quantitatively analyzed by Ion Chromatography. Results are stated in parts per million (ppm). (IEST-RP. CC004.3, Section 7.2.2.)

Attribute		Units	Value	Test Method
Basis Weight		g/m ²	134	TAPPI T-410
Caliper		μm	506	TAPPI T-411
Fibers	$\geq 100\mu\text{m}$	fibers/cm ²	0.017	IEST-RP.CC004.3, Sec 6.1.3 / Sec 6.2.2
Particles	$\geq 0.5\mu\text{m}$	x10 ³ /cm ²	0.57	IEST-RP.CC004.3, Sec 6.1.4 / Sec 6.2.1
Sorbency	Capacity	mL/m ²	371	IEST-RP.CC004.3, Sec 8.1 modified /Sec 8.2 modified
	Efficiency	mL/g	2.8	
	Rate	seconds	1	
Non-Volatile Residue	DI Water	g/m ²	0.0032	IEST-RP.CC004.3, Sec 7.1.2
	IPA	g/m ²	0.011	
Ions	Na+	ppm	0.0059	IEST-RP.CC004.3, Sec 7.2.2
	K+	ppm	0.00089	
	Ca ⁺⁺	ppm	0.0070	
	Mg ⁺⁺	ppm	0.00013	
	Cl-	ppm	0.011	

CHOOSE YOUR WIPER SUBSTRATE

NON-STANDARD OPTIONS AVAILABLE

new substrate, special size, packaging configuration, and saturation level

NONWOVENS

ADVANTAGES

- Natural and synthetic
- Good strength
- More absorbent than knitted
- Very consistent
- Works well with bleaches, phenols, quaternary ammonium compounds
- Less expensive than knitted

CONSIDERATIONS

- Higher levels of fiber and particle contamination
- Poor in abrasive conditions
- Cannot be laundered

KNITTED/ LAUNDERED/ SEALED EDGE

ADVANTAGES

- Tubular/sealed edge means low particle and fibers
- Typically nonabrasive
- Extremely pure
- Durability better than nonwovens
- Absorbent
- Works well with bleaches, phenols, quaternary ammonium compounds
- Low NVRs and ionic levels

CONSIDERATIONS

- Laundered sealed edge wipers are more expensive.
- Not as absorbent as nonwovens

DID YOU KNOW?

USP <800>

15 Deactivation/Decontamination

DECONTAMINATION occurs by removing HD residue from surfaces and transferring them to a **low-lint disposable wipe**

KNITTED/ LAUNDERED/ UNSEALED EDGE

ADVANTAGES

- Particle, fiber levels of laundered knits are lower than nonwovens
- Typically nonabrasive
- Extremely pure
- Durability better than nonwovens
- Absorbent
- Works well with bleaches, phenols, quaternary ammonium compounds
- Low NVRs and ionic levels

CONSIDERATIONS

- Laundered wipers are more expensive
- Higher in fibers than sealed edge version
- Not as absorbent as nonwovens

ISO CLASS 5 | PRIMARY ENGINEERING CONTROL (PEC)

STERILE WIPER SELECTION GUIDE (NON-STERILE VERSIONS ALSO AVAILABLE)

* Gamma Irradiated and sterile validated to a 10⁻⁶ Sterility Assurance Level per ANSI/AAMI/ISO Guidelines

* Header bag style

* Lot number on each pack for compliance traceability

* Certificates of Sterility (COS) available on www.berkshire.com by lot number 24/7

COS Details: Expiration date, radiation dosage, lot information, meets cGMP requirements for traceability

1 EXCELLENT	3 FAIR
2 GOOD	4 NR

DRY STERILE KNITTED WIPERS – LOT TO LOT TRACEABILITY

PRODUCT/SUBSTRATE	PRODUCT FAMILY	EDGE TYPE	ABSORBENCY	ABRASION RESISTANCE	SENSITIVE SURFACES	LOW-LINTING	SOLVENT COMPATIBLE
GAMMA WIPE® VP 100% continuous filament polyester	MicroSeal® VP	ultra-sonically sealed	2	1	1	1	1
GAMMA WIPE® 120 100% continuous filament polyester	SuperPolx® 1200	cut	2	1	1	1	1

DRY STERILE NONWOVEN WIPERS – LOT TO LOT TRACEABILITY

PRODUCT/SUBSTRATE	PRODUCT FAMILY	EDGE TYPE	ABSORBENCY	ABRASION RESISTANCE	SENSITIVE SURFACES	LOW-LINTING	SOLVENT COMPATIBLE
GAMMA WIPE® 67 55% cellulose/45% polyester	Durx® 670	cut	1	2	2	2	2
GAMMA WIPE® POLX® NW 100% polyester hydroentangled nonwoven		cut	1	1	1	1	2

PRESATURATED STERILE KNITTED WIPERS – LOT TO LOT TRACEABILITY

PRODUCT/SUBSTRATE	PRODUCT FAMILY	EDGE TYPE	SOLUTION
STERILE SATPAX® MICROSEAL®-VP 100% continuous filament polyester	MicroSeal® VP	ultra-sonically sealed	70% IPA/30% DI H ₂ O
STERILE SATPAX® 1200 100% continuous filament polyester	SuperPolx® 1200	cut	70% IPA/30% DI H ₂ O

PRESATURATED STERILE NONWOVEN WIPERS – LOT TO LOT TRACEABILITY

PRODUCT/SUBSTRATE	PRODUCT FAMILY	EDGE TYPE	SOLUTION
STERILE SATPAX® 670 55% cellulose/45% polyester	Durx® 670	cut	70% IPA/30% DI H ₂ O
STERILE SATPAX® 550 100% meltblown polypropylene		cut	70% IPA/30% DI H ₂ O
STERILE SATPAX® POLX® NW 100% polyester hydroentangled		cut	70% IPA/30% DI H ₂ O

MINIMUM REQUIRED CLEANING FREQUENCY

LAFWs

- At the beginning of each shift
- Before each batch
- Not longer than 30 min after previous disinfection (during ongoing compounding)

BSCs

CAIs

CACIs

- After spills
- When surface contaminate is known
- Clean area after surface sampling (i.e. Contact Rodac Agar Plate)

**ISO CLASS 5 | PRIMARY ENGINEERING CONTROL (PEC)
DRY STERILE KNITTED WIPERS** — LOT TO LOT TRACEABILITY

Gamma Wipe® VP

100% continuous filament polyester knit

Gamma Wipe® VP is a lightweight wiper with a tightly knit material design that reduces the actual cost in use compared to heavier weight products and minimizes abrasion of components.

SKU	SIZE	SHEETS/PACK	PACKS/CASE
GWVPST0940	9x9" (23x23cm)	20	40
GWVPST25	12x12" (30x30cm)	20	25

Ultrasonically sealed edge, cleanroom laundered

Gamma Wipe® 120

100% continuous filament polyester knit

Gamma Wipe® 120 absorbs three times its own weight with a soft hand for sensitive surfaces.

SKU	SIZE	SHEETS/PACK	PACKS/CASE
GW120ST0940	9x9" (23x23cm)	20	40
GW120.ST.15	12x12" (30x30cm)	20	15

Knife cut, cleanroom laundered

DRY STERILE NONWOVEN WIPERS — LOT TO LOT TRACEABILITY

Gamma Wipe® 67

55% cellulose/45% polyester

Gamma Wipe® 67 is an economical general purpose wiper that is smooth, highly absorbent and durable.

SKU	SIZE	SHEETS/PACK	PACKS/CASE
GW67ST0980	9x9" (23x23cm)	20	80
GW67ST1242	12x12" (30x30cm)	25	42
GW67.ST.25	12x12" (30x30cm)	20	25
GW67.ST.60	12x12" (30x30cm)	5	60

No binders or chemical additives

Gamma Wipe® Polx® Nonwoven

100% knitted polyester hydroentangled

Gamma Wipe® Polx® NW is extremely soft for sensitive surfaces and is critically low in fiber and particle generation for streak-free cleaning.

SKU	SIZE	SHEETS/PACK	PACKS/CASE
GWPNWST124	12x12" (30x30cm)	25	42

No cellulose components

PRESATURATED STERILE KNITTED WIPERS — LOT TO LOT TRACEABILITY

Sterile SatPax® MicroSeal®-VP

100% continuous filament polyester knit

Sterile SatPax® MicroSeal®-VP is pre-wetted with a consistent 70% IPA/30% DI H₂O solution with a higher saturation level for contact time in the regulated industries.

SKU	SIZE	SHEETS/PACK	PACKS/CASE	SATURATION
SSPVPR00124	9x9" (23x23cm)	30	24	60%

Ultrasonically sealed edge, resealable packaging

Sterile SatPax® 1200

100% continuous filament polyester knit

Sterile SatPax® 1200 is pre-wetted with a consistent 70% IPA/30% DI H₂O solution with a higher saturation level.

SKU	SIZE	SHEETS/PACK	PACKS/CASE	SATURATION
SSP1200.003.12	9x9" (23x23cm)	30	12	60%

Knife cut edge, resealable packaging

PRESATURATED STERILE NONWOVEN WIPERS — LOT TO LOT TRACEABILITY

Sterile SatPax® 670

55% cellulose/45% polyester

Sterile SatPax® 670 is a durable and strong pre-wetted wiper with a consistent 70% IPA/30% DI H₂O solution with a higher saturation level.

SKU	SIZE	SHEETS/PACK	PACKS/CASE	SATURATION
SSP670.001.24	9x9" (23x23cm)	30	12	60%

Knife cut edge, resealable packaging

Sterile SatPax® Polx® NW

100% polyester hydroentangled nonwoven

Sterile SatPax® Polx® NW is a soft and pliable pre-wetted wiper with a consistent 70% IPA/30% DI H₂O solution with a higher saturation level of 60% for solution contact time in the regulated industries.

SKU	SIZE	SHEETS/PACK	PACKS/CASE	SATURATION
SSPPNW00124	9x9" (23x23cm)	30	24	60%

Knife cut edge, no cellulose components

Sterile SatPax® 550

100% meltblown polypropylene

Sterile SatPax® 550 is a durable and strong pre-wetted wiper with a consistent 70% IPA/30% DI H₂O solution and has excellent wet strength and abrasion resistance.

SKU	SIZE	SHEETS/PACK	PACKS/CASE	SATURATION
SSP55000524	7x11" (18x28cm)	50	24	??%
SSP55000424	9x11" (23x28cm)	50	24	??%

Knife cut edge, resealable packaging



ISO CLASS 6/7 | BUFFER AREA ISO CLASS 8 | ANTE-ROOM

WIPER SELECTION GUIDE

- 1 EXCELLENT
- 2 GOOD
- 3 FAIR
- 4 NR

DRY KNITTED WIPERS – LOT TO LOT TRACEABILITY – AUTOCLAVABLE

PRODUCT/SUBSTRATE	EDGE TYPE	ABSORBENCY	ABRASION RESISTANCE	SENSITIVE SURFACES	LOW-LINTING	SOLVENT COMPATIBLE
MICROSEAL® VP 100% continuous filament polyester	ultra-sonically sealed	2	1	1	1	1
CHOICE® 900 100% continuous filament polyester	sealed	2	1	1	1	1

DRY NONWOVEN WIPERS – LOT TO LOT TRACEABILITY – AUTOCLAVABLE

PRODUCT/SUBSTRATE	EDGE TYPE	ABSORBENCY	ABRASION RESISTANCE	SENSITIVE SURFACES	LOW-LINTING	SOLVENT COMPATIBLE
DURX® 670 55% cellulose/45% polyester	cut	1	2	2	2	2
ECOCLEAN® 35 100% Cotton	cut	1	2	2	3	2
VALUCLEAN® PLUS 50% rayon/50% polyester (not autoclavable)	cut	1	2	2	2	2
CHOICE® 600 55% cellulose/45% polyester	cut	1	2	2	2	2

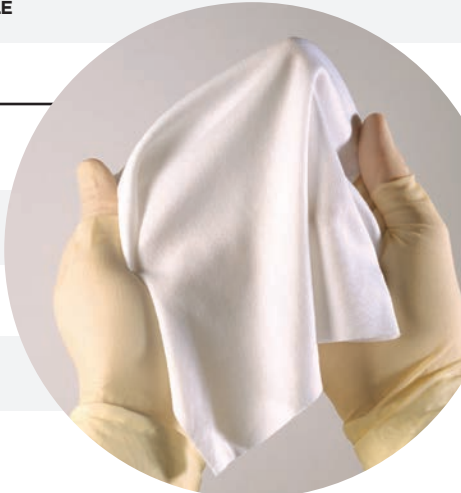
PRESATURATED KNITTED WIPERS – LOT TO LOT TRACEABILITY – AUTOCLAVABLE

PRODUCT/SUBSTRATE	PRODUCT FAMILY	EDGE TYPE	SOLUTION
SATPAX® MICROSEAL®-VP 100% continuous filament polyester	MicroSeal® VP	ultra-sonically sealed	70% IPA/30% DI H ₂ O
SATPAX® 1200-R 100% continuous filament polyester	Super Polx 1200	cut	70% IPA/30% DI H ₂ O

DID YOU KNOW?
Refer to your SOPs for required cleaning frequency and surfaces

PRESATURATED NONWOVEN WIPERS – LOT TO LOT TRACEABILITY – AUTOCLAVABLE

PRODUCT/SUBSTRATE	PRODUCT FAMILY	EDGE TYPE	SOLUTION
SATPAX® 670-R 55% cellulose/45% polyester	Durx® 670	cut	70% IPA/30% DI H ₂ O
CHOICE® SATPAX® 600 55% cellulose/45% polyester	CHOICE® 600	cut	70% IPA/30% DI H ₂ O
SATPAX® 550 100% meltblown polypropylene		cut	70% IPA/30% DI H ₂ O
SATPAX® POLX® NONWOVEN 55% cellulose/45% polyester		cut	70% IPA/30% DI H ₂ O



**ISO CLASS 6/7 | BUFFER AREA; ISO CLASS 8 | ANTE-ROOM
DRY KNITTED WIPERS — LOT TO LOT TRACEABILITY — AUTOCLAVABLE**

MicroSeal®-VP

100% continuous filament polyester

MicroSeal®-VP is a lightweight wiper with a tightly knit material design that reduces the actual cost in use compared to heavier weight products and minimizes abrasion of components.

SKU	SIZE	SHEETS/PACK	PACKS/CASE
MSVP0708B.8	7x8" (18x20cm)	300 (BULK)	8
MSVP0909.8	9x9" (23x23cm)	150	8

Ultrasonically sealed edge, cleanroom laundered

Choice® 900

100% continuous filament polyester

Economical Choice® 900 has high abrasion with excellent absorbency. Its ultrasonically sealed edges reduces fiber and particle contamination.

SKU	SIZE	SHEETS/PACK	PACKS/CASE
CH909.10	9x9" (23x23cm)	150	10

Sealed Edge, Cleanroom Laundered

DRY NONWOVEN WIPERS — LOT TO LOT TRACEABILITY — AUTOCLAVABLE

Durx® 670

55% cellulose/45% polyester

Durx® 670 is a general purpose wiper that is smooth, highly absorbent and durable.

SKU	SIZE	SHEETS/PACK	PACKS/CASE
DR670.0707.12	7x7" (18x18cm)	300	12
DR670.0909.20	9x9" (23x23cm)	300	20
DR670.1212.20	12x12" (30x30cm)	150	20

No binders or chemical additives

ValuClean® Plus

50% rayon/50% polyester (not autoclavable)

ValuClean® Plus is a high absorbency wiper compared to typical cellulose/polyester nonwovens. Its soft hand and low fiber shedding performance make it a good choice in critical cleaning applications where economy is important.

SKU	SIZE	SHEETS/PACK	PACKS/CASE
VCLP0707.45	7x7" (18x18cm)	300	45
VCLP0909.20	9x9" (23x23cm)	300	20
VCLP1212.20	12x12" (30x30cm)	150	20

Rayon content for high absorbency (not autoclavable)

EcoClean® 35

100% cotton

EcoClean® 35 is 1/4 folded to fit the hand and promote proper wiping technique. The apertured surface aids in particle pick up and entrapment. Excellent gauze replacement.

SKU	SIZE	SHEETS/PACK	PACKS/CASE
ECW35.0505.30	10x10" (1/4 folded)	100	30

1/4 folded, apertured, no binders or additives

Choice® 600

55% cellulose/45% polyester

Choice® 600 is an economical general purpose wiper, that is smooth, highly absorbent and durable.

SKU	SIZE	SHEETS/PACK	PACKS/CASE
CHNW60440	4X4" (10X10cm)	300	40
CHNW60920	9x9" (23x23cm)	300	20
CHNW61220	12x12" (30x30cm)	150	20

No binders or chemical additives

PRESATURATED KNITTED WIPERS — LOT TO LOT TRACEABILITY — AUTOCLAVABLE

SatPax® MicroSeal®-VP

100% continuous filament polyester

SatPax® MicroSeal®-VP is pre-wetted with a consistent 70% IPA/30% DI H₂O solution with a higher saturation level for contact time in the regulated industries.

SKU	SIZE	SHEETS/PACK	PACKS/CASE
SPXVPR00112	9x9" (23x23cm)	30	12
SPXVP003.6R	9x9" (23x23cm)	150	6

Ultrasonically sealed edge, cleanroom laundered, resealable packaging

SatPax® 1200-R

100% continuous filament polyester

SatPax® 1200-R is pre-wetted with a consistent 70% IPA/30% DI H₂O solution with a higher saturation level of 60% for solution contact time in the regulated industries.

SKU	SIZE	SHEETS/PACK	PACKS/CASE
SPX120R.001.12	9x9" (23x23cm)	30	12

Knife cut edge, cleanroom laundered, resealable packaging

PRESATURATED NONWOVEN WIPERS — LOT TO LOT TRACEABILITY — AUTOCLAVABLE

SatPax® 670-R

55% cellulose/45% polyester

SatPax® 670-R is a durable and strong pre-wetted wiper with a consistent 70% IPA/30% DI H₂O solution with a higher saturation level of 60% for solution contact time in the regulated industries.

SKU	SIZE	SHEETS/PACK	PACKS/CASE
SPX670R.001.12	9x9" (23x23cm)	75	12

Knife cut edge, resealable packaging

SatPax® 550

100% meltblown polypropylene

SatPax® 550 is a strong pre-wetted, higher saturation, 70% IPA/30% DI H₂O wiper.

SKU	SIZE	SHEETS/PACK	PACKS/CASE
SPX550.001.24	9x11" (23x28cm)	50	24
SPX550.003.36	7x11" (18x28cm)	75	36
SPXC55000112	6x9" (15x23cm)	150	12
SPXC5500012R	6x9" (15x23cm)	150	12

Knife cut edge, resealable packaging

Choice® SatPax® 600

55% cellulose/45% polyester

Choice® SatPax® 600 is an economical smooth and durable pre-wetted wiper with a consistent 70% IPA/30% DI H₂O with two saturation levels available, 45% and 60%.

SKU	SIZE	SHEETS/PACK	PACKS/CASE
SPXCHN600112	9x9" (23x23cm)	75	12
SPXCHN6R00112	9x9" (23x23cm)	75	12

Knife cut edge, resealable packaging

SatPax® Polx® Nonwoven

100% hydroentangled polyester

SatPax® Polx® NW is a soft pre-wetted, higher saturation, 70% IPA/30% DI H₂O wiper.

SKU	SIZE	SHEETS/PACK	PACKS/CASE
SPXPNW00112	9x9" (23x23cm)	75	12
SPXCPNW00312	6x9" (15x23cm)	100	12
SPXCPNW00312R	6x9" (15x23cm)	100	12

Knife cut edge, resealable packaging

SatPax® 550

100% meltblown polypropylene

SatPax® 550 is a strong pre-wetted 70% IPA/30% DI H₂O wiper with a higher saturation level of 60% for solution contact time in the regulated industries.

SKU	SIZE	SHEETS/PACK	PACKS/CASE
SPXC55000112	6x9" (15 x23cm)	150	12
SPXC5500012R	6x9" (15 x23cm)	150	12

Knife cut edge, canister & refill packaging

SatPax® Polx® Nonwoven

100% hydroentangled polyester

SatPax® Polx® Nonwoven is a soft pre-wetted 70% IPA/30% DI H₂O wiper with a higher saturation level of 60% for solution contact time in the regulated industries.

SKU	SIZE	SHEETS/PACK	PACKS/CASE
SPXCPNW00312	6x9" (15x23cm)	100	12
SPXCPNW00312R	6x9" (15x23cm)	100	12

Knife cut edge, canister & refill packaging



BCR® GLOVE LINERS

Glove liners are excellent for USP <800> compounding where double gloving is required.

HAND HEALTH AND OPERATOR COMFORT

BCR® Glove Liners enhance operator comfort by reducing perspiration and contact dermatitis associated with wearing latex, vinyl, nitrile, neoprene and other gloves. They are ambidextrous for easy stock control. All of Berkshire's glove liners can be laundered for multiple reuse.

BCR® Polyester Glove Liners

Lightweight

PRODUCT	SKU	SIZE	CUFF COLOR	PAIRS/PACK	PACKS/CASE
BCR® HALF-FINGER	BGL2.20R	REGULAR	WHITE	10	20
BCR® HALF-FINGER	BGL2.200BR	REGULAR	WHITE	200 (BULK)	1
BCR® HALF-FINGER	BGL2.20L	LARGE	BLUE	10	20
BCR® FULL-FINGER	BGL3.20L	LARGE	BLUE	10	20
BCR® FULL-FINGER	BGL3.20R	REGULAR	WHITE	10	20

BCR® Single Knit Nylon Glove Liners

Medium Weight

PRODUCT	SKU	SIZE	CUFF COLOR	PAIRS/PACK	PACKS/CASE
BCR® HALF-FINGER	BGL6.200SB	SMALL	GREEN	200 (BULK)	1
BCR® HALF-FINGER	BGL6.200LB	LARGE	BLUE	200 (BULK)	1
BCR® FULL-FINGER	BGL7.200SB	SMALL	GREEN	200 (BULK)	1
BCR® FULL-FINGER	BGL7.200MB	MEDIUM	ORANGE	200 (BULK)	1
BCR® FULL-FINGER	BGL7.200LB	LARGE	BLUE	200 (BULK)	1
BCR® FULL-FINGER	BGL7.200XLB	X-LARGE	RED	200 (BULK)	1

BCR® Ultra Glove Liners

Lightweight

Fortify•AM® and Fortify Sta•Cool® Polyester Glove Liners

PRODUCT	SKU	SIZE	CUFF COLOR	PAIRS/PACK	PACKS/CASE
BCR® HALF-FINGER	BGL2U20R	REGULAR	GREY	10	20
BCR® HALF-FINGER	BGL2U20L	LARGE	PURPLE	10	20
BCR® FULL-FINGER	BGL3U20R	REGULAR	GREY	10	20
BCR® FULL-FINGER	BGL3U20L	LARGE	PURPLE	10	20



BCR® FACE MASKS

ISO CLASS 4-8

CLEANROOM CLASS 10 - 100,000 | EU GRADE B/C/D

EASY BREATHING COMFORT WITH SUPERIOR PERFORMANCE

People are a significant source of contamination in any critical manufacturing process. Berkshire masks are designed to protect your cleanroom from human contamination. Berkshire masks provide comfort for operators.

BCR® Mask 3-Layer Knitted Nylon Spandex Earloops

- Individually wrapped
- Ultrasonic bonding reduces contamination and outgassing

SKU	SIZE	MASKS/ PACK	PACKS/ CASE	INNERFACING MEDIUM	FILTER	OUTERFACING
BM180ELK25I	180mm	25	42	Polypropylene	Polypropylene	Polypropylene - Blue

BCR® Mask 3-Layer Polyurethane Headbands - Extra Wide

- Bulk packaged - not individually wrapped in the pack
- Headband option provides more secure facial seal

SKU	SIZE	MASKS/ PACK	PACKS/ CASE	INNERFACING MEDIUM	FILTER	OUTERFACING
BM210HBPU50B	210mm	50 (bulk)	36	Polypropylene	Polypropylene	Polypropylene - Blue

BCR® Mask 3-Layer Knitted Nylon Spandex Earloops

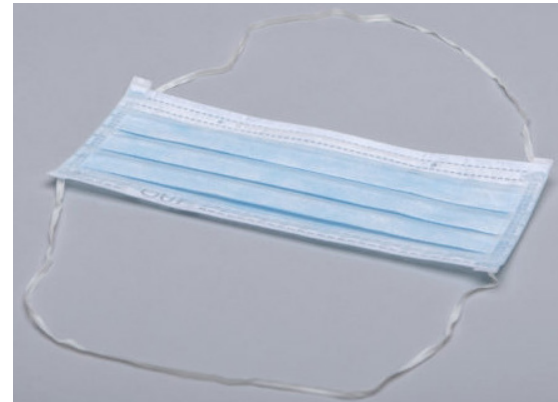
- Bulk packaged-not individually wrapped in the pack
- Earloops are soft and comfortable for long wear

SKU	SIZE	MASKS/ PACK	PACKS/ CASE	INNERFACING MEDIUM	FILTER	OUTERFACING
BM180ELK50B	180mm	50 (bulk)	30	Polypropylene	Polypropylene	Polypropylene - Blue

BCR® Face Mask 3-Layer Knitted Nylon Spandex Earloops-Extra Wide

- Bulk packaged - not individually wrapped
- Earloops are soft and comfortable for long wear

SKU	SIZE	MASKS/ PACK	PACKS/ CASE	INNERFACING MEDIUM	FILTER	OUTERFACING
BM210ELK50B	210mm	50 (bulk)	30	Polypropylene	Polypropylene	Polypropylene - Blue



DID YOU KNOW ?

Test results for Particle Filtration Efficiency, Bacterial Filtration Efficiency, Differential Pressure and Helmke Drum can be found on Product Information Sheets located at berkshire.com/product-data

CAN CLEANROOM FACE MASKS CAUSE SKIN IRRITATION?



LAB-TIPS® SWABS

DID YOU KNOW?

There are 16 other Berkshire LabTips® that are excellent for cleaning and applying lubricants/liquids. Short, medium, long handle lengths – flexible, semi-flexible, rigid head types.

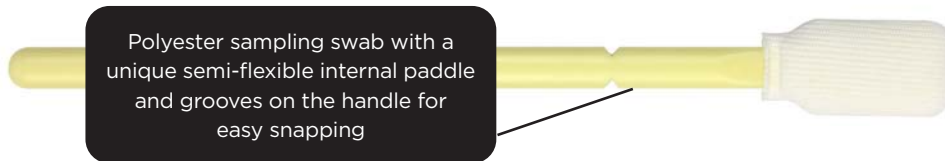


LAB-TIPS® KNITTED POLYESTER SAMPLING SWABS

CLEANROOM LAUNDERED DOUBLE LAYER 100% POLYESTER KNIT SWAB HEADS

Berkshire's knitted polyester swabs are made from cleanroom laundered, continuous filament polyester for exceptional purity. They offer low ionic contamination levels along with excellent durability and absorbent capacity. Knitted polyester swabs have excellent chemical resistance and are compatible with organic solvents. The handles are made of 100% polypropylene.

SKU	HEAD WIDTH	HEAD THICKNESS	HEAD LENGTH	HANDLE WIDTH	HANDLE THICKNESS	HANDLE LENGTH	TOTAL SWAB LENGTH	PACKAGING
LTP125S.25	12.7mm (0.50")	5.0mm (0.196")	25.0mm (0.984")	5.5mm (0.216")	2.8mm (0.11")	100.0mm (3.94")	125.0mm (4.92")	20 SWABS/PACK 25 PACKS/CASE



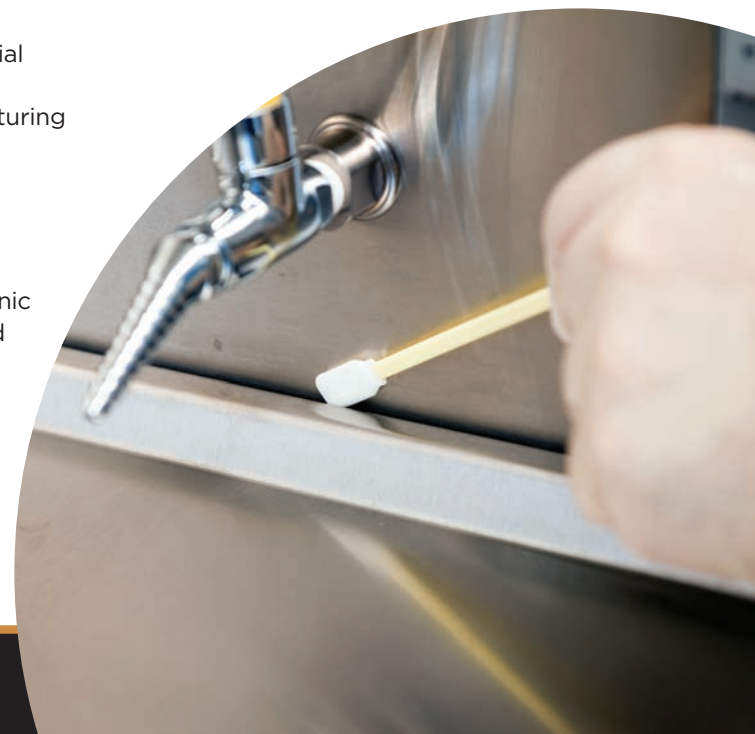
- Polyester designed for surface cleaning validation using the analytical technique of total organic carbon (TOC) analysis
- Ultra-low NVR and ion levels

CONSTRUCTION

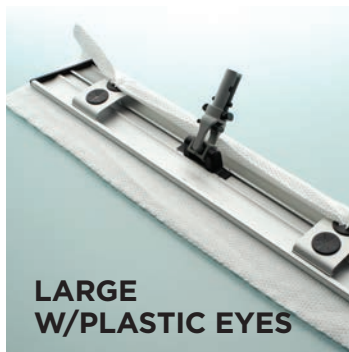
Sock tips are made by sandwiching the swab handle between multiple layers of thermoplastic head material. The head material is completely sealed and bonded to the handle with heat and pressure. No contaminating adhesives are used in the manufacturing of Berkshire's sock tip swabs.

PACKAGING

Lab-Tips® are double bagged in cleanroom bags manufactured from high purity polyethylene resin that ensures ultra-low organic and inorganic residues. Bags are free from silicone, amides, and DP and comply with RoHS directives. An easy tear notch and solvent resistant inner pack labels ensure ease of use.



CHOICE® MOPS & ACCESSORIES



	STRING	CHOICE®	DOUBLE SIDED	ERGONOMIC	LARGE W/ SPRINGS	LARGE W/ PLASTIC EYES	SMALL W/ PLASTIC EYES	EASYCLEAN®360
AUTOCLAVABLE	●	●	●	●	●	●	●	●
FLOORS	●	●	●	●	●	●	●	
WALLS			●	●	●	●	●	
CEILINGS			●	●	●	●	●	
RABS								●
ISOLATORS								●
CACI/CLASS II BSC								●
LARGE AREAS	●	●	●	●	●	●		
SMALL AREAS			●	●	●	●	●	●
UNDER EQUIPMENT			●	●	●	●	●	
WET CLEANING	●	●	●	●	●	●	●	●
DRY CLEANING			●	●	●	●	●	●
GLOVE BOXES								●

CHOICE® MOPS & ACCESSORIES

CHOICE® MicroFiber Looped String Mop Head

Microfibers are tiny fibers that have been split to produce ultra-fine fibers estimated to be at least 1/16" the size of a human hair. When knitted together these fibers create a surface area covered with millions of spaces between the fibers to trap moisture, dirt and debris. This technology allows for the dirt and liquids to be "picked up" rather than being pushed around.

Features and Advantages

- White 88% polyester/12% nylon microfiber string mop with blue headband and tailband
- Microfiber yarns attract and trap dirt and debris
- Terry knit structure enhances absorbency to increase efficiency
- Tubular knit construction with sewn head and tail bands provides added durability
- Lot number assures traceability
- Autoclavable

SKU	PACKAGING	MOPS/PACK	MOPS/CASE
CHMFM.24	INDIVIDUALLY WRAPPED	1	24

CHOICE® Mop Handle & Clamp

Economical CHOICE® lightweight mop handle & clamp accommodates most size string and loop mop heads.

Handle: Features and Advantages

- Anodized aluminum handle with blue polypropylene hand grip
- Fixed length at 56 inches (140cm)
- Easily connects to clamp
- Corrosion and chemical resistant
- Not autoclavable

Clamp: Features and Advantages

- Blue polypropylene mop clamp
- Latch-style swing-away bar for quick and easy mophead changes
- Easily connects to handle
- Corrosion and chemical resistant
- Autoclavable

PRODUCT	SKU	PACKAGING	MOPS/HANDLES/ CASE
CHOICE MOP HANDLE & CLAMP SET	CHMH.SET.1	1 HANDLE & 1 CLAMP	1

DID YOU KNOW ?

The mop head can be laundered and re-used. Specific laundry instructions can be found on Product Information Sheet on berkshire.com.



BCR® CLEANROOM LOOPED STRING MOP SYSTEM

Cleanroom Looped String Mop Heads

Looped-end-fan-tail construction to minimize particle generation

BCR® Mop 1

Nonwoven polyester — Disposable

This is an absorbent, economical, unlaundered soft mop designed for both the easy removal of contamination from floors and for the distribution of disinfectants.

PRODUCT	SKU	MOP/PACK	MOPS/CASE
BCR® MOP 1	BCM.1.12	1	12



BCR® Mop 4

100% knitted polyester — Relaunderable

Laundered and packaged in an ISO Class 4 cleanroom, this mop has low particulates and fibers. It has excellent chemical and abrasion resistance, with a lot number on each pack ensuring traceability. Available gamma irradiated.

PRODUCT	SKU	MOP/PACK	MOPS/CASE
BCR® MOP 4	BCM.4.12	1	12
BCR® MOP 4	BCM.4IR.12	1	12

CLEANROOM STRING AND LOOP MOP HANDLE & CLAMP

Handle: Features and Advantages

- Anodized aluminum handle
- Fixed length of 56" (140cm)
- Lightweight
- Easily connects to clamp
- Corrosion and chemical resistant
- Not Autoclavable

Clamp: Features and Advantages

- Blue polypropylene mop clamp
- Latch-style swing-away bar for quick and easy mophead changes
- Easily connects to handle
- Autoclavable
- Corrosion and chemical resistant

PRODUCT	SKU	PACKAGING	MOPS/HANDLES/ CASE
CHOICE MOP HANDLE & CLAMP SET	CHMH.SET.1	1 HANDLE & 1 CLAMP	1

DID YOU KNOW ?

Certificates of Irradiation are available 24/7 on berkshire.com for BCM.4IR.12

Cleanroom Looped String Mop Wringer, Cart and Buckets - Fully Autoclavable

Composition and Technology

- The Cleanroom Cart is made of high quality stainless steel and is fully autoclavable
- Locking casters provide stability
- Wringer is made of durable plastic
- Ergonomically designed handle serves as a rest for the mop handle and makes the cart easy to maneuver in tight production areas
- Two 20 liter polypropylene buckets are color coded grey and red to differentiate between clean and dirty solutions

*Internal bucket graduations help insure correct mixing of cleaning and disinfecting solutions

PRODUCT	SKU	QTY PER CASE
STAINLESS STEEL MOP CART WITH BUCKETS	BCRMOPCART1	1
MOP WRINGER	BCRSTRWRINGER1	1
CASTER REPLACEMENTS	BCRCASTERSET1	4



EASYCLEAN® 360 ISOLATOR CLEANING SYSTEM

ISOLATOR CLEANING TOOL (ICT)



Efficient cleaning of compounding isolators, biological safety cabinets, laminar flow hoods and other mini-environments is critical to the quality and purity of compounded products. The EasyClean® 360° System includes a lightweight, maneuverable cleaning tool along with easy-to-use laundered polyester knit covers.

- Durable, mirror finish, stainless steel mop head swivels 360° for easy maneuverability
- Head can be locked for 180° swivel when desired
- 4x7" (10x18cm) triangular head shape allows improved access to tight corners.
- Lightweight anodized aluminum handles provided in 2 lengths - 14" (35cm) and 24" (61cm)
- Mop head and handles can be sterilized by autoclave or gamma irradiation



PRODUCT	SKU	HANDLE SIZES	QTY PER CASE
EASYCLEAN® 360 ISOLATOR CLEANING TOOL	EC360.ICT.1	14" & 24" (35cm & 61cm)	1
TELESCOPING ALUMINUM HANDLE	BCR.T2HANDLE.1	37" – 71" (95 – 180cm)	1 (SOLD SEPARATELY)

EASYCLEAN® ELASTIC ICT COVERS



- 100% continuous filament knitted polyester padded covers are laundered and packaged in an ISO Class 4 cleanroom
- Recommended for use with the EasyClean® Elastic Cover
- Foam-free cushioned design ensures even surface coverage with reduced residues and contaminants
- Easy-to-install covers fits securely and stay in place during use
- Autoclavable

PRODUCT	SKU	PACKAGING	PACKS/CASE
EASYCLEAN® ELASTIC ICT COVERS	EC360.EC.6	25 ELASTIC COVERS & 1 PADDED COVER/PACK	6
STERILE EASYCLEAN®	EC360.ECST.20	10 ELASTIC COVERS & 1 PADDED COVER/PACK	20

EASYCLEAN® NONWOVEN ICT COVERS

- Double-ply 55% cellulose/45% polyester
- 100% nonwoven rayon inner layer for added absorbency
- Elastic edge allows secure fit on the mop head during use
- Autoclavable
- Recommended for use in an ISO Class 5 - 8 cleanroom or EU Grade B/C/D

PRODUCT	SKU	PACKAGING	PACKETS/CASE
EASYCLEAN® ICT COVERS PACK	EC360.NW.40	5 NONWOVEN COVERS 4 PACKS/PACKET	10

Light weight anodized aluminum handles provided in 2 lengths — 14" (35cm) and 24" (61cm)

Head can be locked for 180° swivel when desired

Mop head and handles can be sterilized by autoclave or gamma irradiation

4x7" (10x18cm) triangular head shape allows improved access in tight corners

Durable, mirror finish, stainless steel mop head swivels 360° for easy maneuverability

ERGONOMIC 16" CLEANROOM FLAT MOP SYSTEM

The ergonomic 16" Flat Mop holder is a versatile flat mop suitable for almost all application areas. Your cleanroom staff can attach mops faster and more efficiently than ever. Thanks to the cleanroom flat mops V shape, it slips smoothly into the pouches of the mop reducing bending and decreasing injury.

- Ergonomic working hand-switch opening of the holder and mop discarding while standing upright
- No touching of soiled mops when discarding
- Completely flat action for cleaning under and behind equipment

PRODUCT	SKU	SIZE	QTY PER CASE
V FLAT MOP HOLDER WITH CLIPS	BCRVSMOP10	4 X 16" (10 X 40cm)	10 V FLAT MOPS/20 CLIPS
V FLAT MOP HOLDER WITH CLIPS	BCRVSMOP1	4 X 16" (10 X 40cm)	1 V FLAT MOPS/2 CLIPS
TELESCOPING HANDLE	BCRHANDLE10	35-65" (89-165cm)	10
TELESCOPING HANDLE	BCRHANDLE1	35-65" (89-165cm)	1
V FLAT MOP CLIPS	BCRVSClip20	N/A	20

CLEANROOM ERGONOMIC FLAT MOP COVERS



Nonwoven Cover

- 68 gsm polyester/cellulose outer cover
- 100% rayon nonwoven inner layer provides superior absorbency
- High tear strength, individually wrapped — autoclavable

PRODUCT	SKU	SIZE	COVERS/PACK	PACKS/CASE
V MOP NONWOVEN COVER	FMC4NW20	4.5 X 15" (11 X 38cm)	10	20



Foam Cover

- Abrasion resistant polyester knit cleanroom fabric laminated to absorbent polyurethane foam
- Laser cut and cleanroom laundered to minimize fiber and particle release
- High absorbency capacity — autoclavable
- 10mm thickness provides cushioned surface for optimum conformance to uneven floors, walls and ceilings

PRODUCT	SKU	SIZE	COVERS/PACK	PACKS/CASE
V MOP FOAM COVER	FMC6LF12	4.5 X 15" (11 X 38cm)	10	20



Microdenier Cover

- Blue twisted loop microdenier mop cover
- Microfiber string is made of polyester and nylon fibers for exceptional surface cleaning
- Three layer absorbency, individually wrapped - autoclavable
- IR V Mop Microdenier Cover is gamma irradiated

PRODUCT	SKU	SIZE	COVERS/PK	PKS/CS	STYLE
V MOP MICRODENIER COVER	FMC8MD10	6.0" X 18" (45 X 15cm)	6	10	STACKED
IR V MOP MICRODENIER COVER	FMC8MD10IR	6.0" X 18" (45 X 15cm)	6	10	STACKED

Polypropylene grip

Fully autoclavable lightweight durable anodized aluminum telescopic handle extends from 35-65" (89-165cm)

Easy insertion of the holder into the pouches of the mop cover thanks to the V shape

Detachable wiper clips allow the use of disposable mop wipers

ERGONOMIC FLAT MOP WRINGER, SIEVE, CART AND BUCKETS

Composition and Technology

- The Cleanroom Mop Cart is made of high quality stainless steel and is fully autoclavable.
- Locking casters provide stability during use.
- Wringer is made of high quality stainless steel.
- Ergonomically designed handle serves as a rest for the mop handle and makes the cart easy to maneuver in tight production areas.
- Two 20 liter polypropylene buckets are color coded grey and red to differentiate between clean and dirty solutions.
- Internal bucket graduations help insure correct mixing of cleaning and disinfecting solutions

PRODUCT	SKU	QTY PER CS	PKS/CS
STAINLESS STEEL MOP CART WITH BUCKETS — 2, 20 LITER BUCKETS, GREY, RED	BCRMOPCART1	1	1
STAINLESS STEEL V FLAT MOP WRINGER	BCRVSWRINGER1	1	1
STAINLESS STEEL V FLAT MOP SIEVE	BCRFMSIEVE1	1	1
CASTER REPLACEMENTS	BCRCASTERSET1		4



AUTOCLAVABLE CLEANROOM MOP WIPERS

Durx® 670	SKU	SIZE	SHEETS/PACK	PACKS/CASE
Nonwoven, 45% polyester/55% cellulose blend	DR670101810	10 X 18" (25 X 46cm)	100	10
MicroSeal®-VP				
Sealed edge, 100% knitted polyester, laundered	MSVP1018B10	10 X 18" (25 X 46cm)	50 (BULK)	10
MicroSeal SuperSorb® Lite				
Sealed edge, 2-ply, 100% knitted polyester, laundered	SSLT1018B10	10 X 18" (25 X 46cm)	25 (BULK)	10
MicroPolx® 2750				
Polyester/nylon, microfiber knitted	MPX2705101810	10 X 18" (25 X 46cm)	50	10

DOUBLE SIDED 16" CLEANROOM FLAT MOPPING SYSTEM

The Double Sided Flat Mop holder's unique design allows operators to clean approximately twice the surface area of a conventional flat mop before changing or re-saturating the mop head, improving cleaning efficiency and reducing cleaning time.



CLEANROOM DOUBLE SIDED FLAT MOP HOLDER

- Attachment and removal of the mop covers without bending
- Extremely maneuverable with a 360° swiveling head and flat profile-ideal for cleaning under and around production equipment
- Durable, autoclavable plastic
- Double the surface coverage of conventional flat mopping systems
- Edge mounted handle design perfect for cleaning baseboards



CLEANROOM FLAT MOP TELESCOPING HANDLE

- Durable anodized aluminum with polypropylene grip
- Fully autoclavable, polypropylene grip, lightweight durable anodized aluminum telescopic handle extends from 35 - 65" (89-165cm)

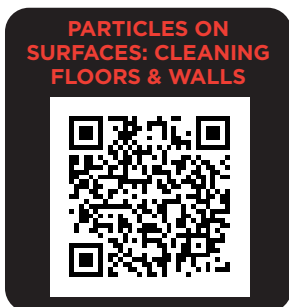
PRODUCT	SKU	SIZE	QTY PER CASE
DOUBLE SIDED MOP HOLDER	BCRDSTMOP10	4 X 16" (10 X 40cm)	10
DOUBLE SIDED MOP HOLDER	BCRDSTMOP1	4 X 16" (10 X 40cm)	1
TELESCOPING HANDLE	BCRHANDLE10	35-65" (89-165cm)	10
TELESCOPING HANDLE	BCRHANDLE1	35-65" (89-165cm)	1

CLEANROOM DOUBLE SIDED FLAT MOP WRINGER CART AND BUCKETS - FULLY AUTOCLAVABLE

Composition and Technology

- The Cleanroom Mop Cart is made of high quality stainless steel
- Locking casters provide stability
- Wringer is made of durable plastic
- Ergonomically designed handle serves as a rest for the mop handle and makes the cart easy to maneuver in tight production areas
- Two 20 liter polypropylene buckets are color coded grey and red to differentiate between clean and dirty solutions
- Internal bucket graduations help insure correct mixing of cleaning and disinfecting solutions

PRODUCT	SKU	QTY PER CASE
STAINLESS STEEL MOP CART WITH BUCKETS	BCRMOPCART1	1
DS FLAT MOP WRINGER	BCRDWRINGER1	1
CASTER REPLACEMENTS	BCRCASTERSET1	4



CLEANROOM DOUBLE SIDED FLAT MOP COVERS



Double Sided Mop Foam Cover

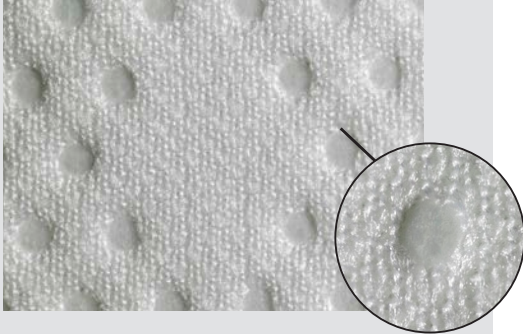
- Abrasion resistant polyester knit cleanroom fabric laminated to absorbent polyurethane foam
- Laser cut and cleanroom laundered to minimize fiber and particle release
- High absorbency capacity
- 5mm thickness provides cushioned surface for optimum conformance to uneven floors, walls and ceilings
- Each cover is individually wrapped
*Autoclavable

SKU	SIZE	COVERS/PACK	PACKS/CASE
FMC7LF20	10 X 18" (25 X 46cm)	4	20



CLEANROOM FLAT MOP WIPERS

All the wipers are disposable and measured to fit the Mop Head Frame. More than one wiper can be attached to the mop head at a time. After mopping the area, the outer wiper can be disposed of and the remaining wipers are ready for the next mopping phase. This guarantees a fresh wiper is used for each new phase.



MicroSeal SuperSorb® Flat Mop Wiper

- Two-ply bonded, sealed edge 100% polyester
- Laundered and packaged in an ISO Class 4 (Class 10) cleanroom
- High Abrasion Resistance
- Autoclavable/sterile version available
- Lot number of each pack for traceability

SKU	SIZE	SHEETS/ PACK	PACKS/ CASE
MSSS.0812.12	8 X 12" (20 X 30cm)	50	12
MSSS.0824.12	8 X 24" (20 X 61cm)	25	12



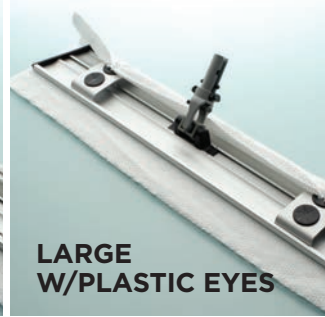
Durx® 670 Flat Mop Wiper

- Hydroentangled 55% cellulose/ 45% polyester
- Smooth, highly sorbent and durable
- Autoclavable/sterile versions available
- No secondary binder
- Critical combination of the strength of synthetic polyester with the absorbency of cellulose
- Lot number of each pack for traceability

SKU	SIZE	SHEETS/ PACK	PACKS/ CASE
DR670.0812.20	8 X 12" (20 X 30cm)	100	20
DR670.0824.10	8 X 24" (20 X 61cm)	100	10



LARGE
W/SPRINGS



LARGE
W/PLASTIC EYES



SMALL
W/PLASTIC EYES

BCR® FLAT MOP SYSTEM

Flat Mop Head Frame

Efficient cleaning of floors, wall and other large surfaces is critical to the overall cleanliness of the production environment. BCR® Flat Mop Systems replicate the most effective way to clean a surface - WIPING. Available with a range of wiping substrates to support your level of cleanliness.

Features

- Clean, light and durable
- High quality anodized aluminum
- Autoclavable
- Unique stainless steel spring mechanisms for wiper attachment (Mop 2)
- Plastic eyes for wiper attachment (Mop 3 and 4)

PRODUCT	SKU	SIZE	QUANTITY
BCR® LARGE MOP HEAD FRAME W/SPRINGS	BCR.MOP2.1	3 1/2 X 23" (9 X 58cm)	1 PER CASE
BCR® LARGE MOP HEAD FRAME W/SPRINGS	BCR.MOP2.10	3 1/2 X 23" (9 X 58cm)	10 PER CASE
BCR® SMALL MOP HEAD FRAME W/PLASTIC EYES	BCR.MOP3.1	3 1/2 X 11" (9 X 28cm)	1 PER CASE
BCR® SMALL MOP HEAD FRAME W/PLASTIC EYES	BCR.MOP3.10	3 1/2 X 11" (9 X 28cm)	10 PER CASE
BCR® LARGE MOP HEAD FRAME W/PLASTIC EYES	BCR.MOP4.1	3 1/2 X 23" (9 X 58cm)	1 PER CASE
BCR® LARGE MOP HEAD FRAME W/PLASTIC EYES	BCR.MOP4.10	3 1/2 X 23" (9 X 58cm)	10 PER CASE

Flat Mop Handle

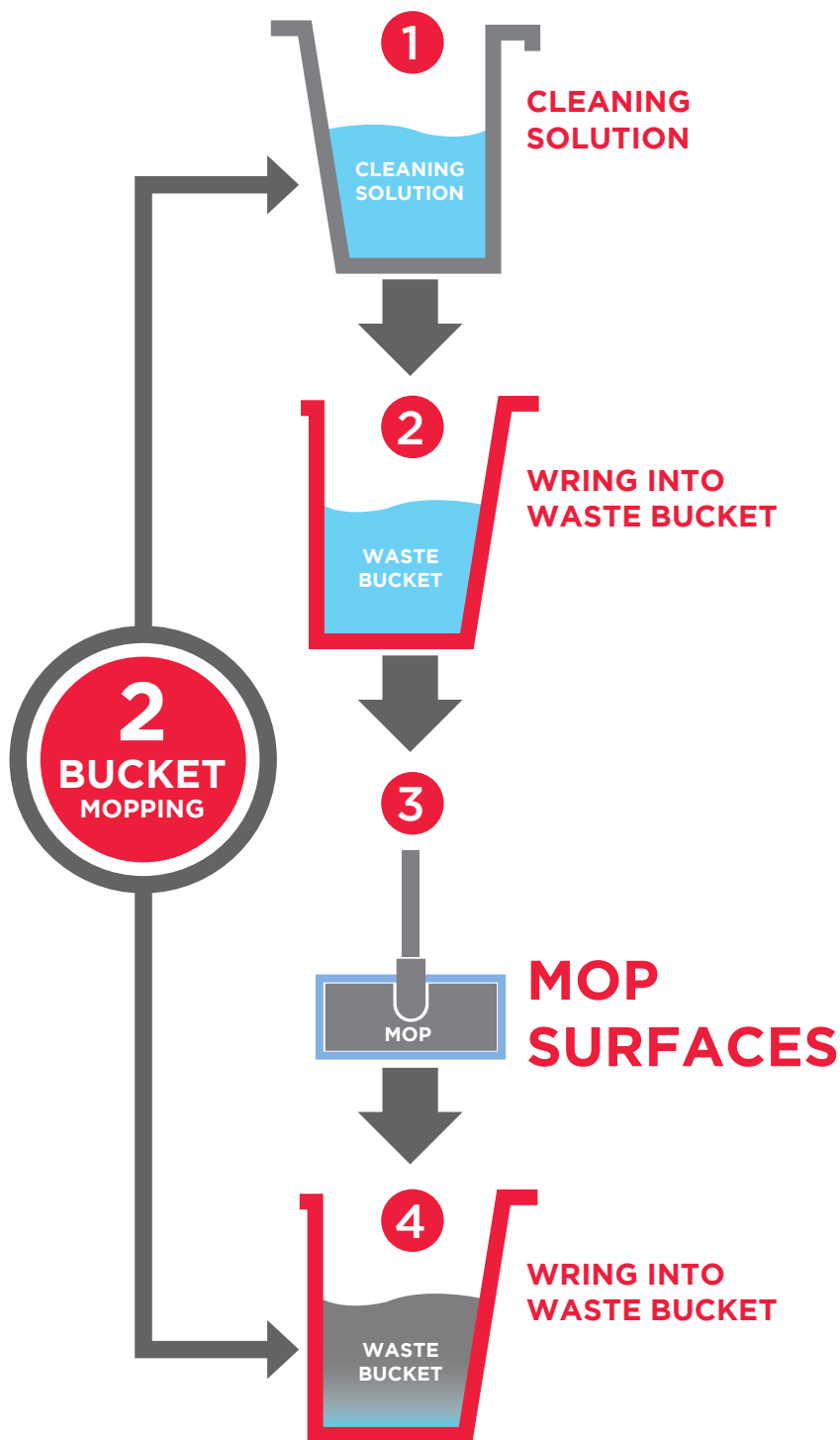
Features

- Telescopic handle: extends from 37-71" (95-180cm)
- Anodized aluminum; lightweight and strong
- Autoclavable

PRODUCT	SKU	SIZE	QUANTITY
TELESCOPING ALUMINUM HANDLE	BCR.T2HANDLE.1	37-71" (95-180cm)	1 PER CASE
TELESCOPING ALUMINUM HANDLE	BCR.T2HANDLE.10	37-71" (95-180cm)	10 PER CASE



CLEANING CLEANROOM SURFACES USING A DOUBLE BUCKET SYSTEM



DOUBLE BUCKET SYSTEM

- 1. Cleaning Solution Bucket** - Add or mix the cleaning solution to the first bucket and fully saturate the mop cover in the solution.
- 2. Waste Bucket** - Using the wringer, located over the waste bucket, wring the excess cleaning solution from the mop into the waste bucket - the second bucket.
- 3. Mop** - Apply the cleaning solution to the surface using your company's Standard Operating Procedure (SOP) for mopping.
- 4. Waste Bucket** - Using the wringer, wring the mop and waste water into the waste bucket for the second time. This process can be repeated multiple times until your surfaces are cleaned. *



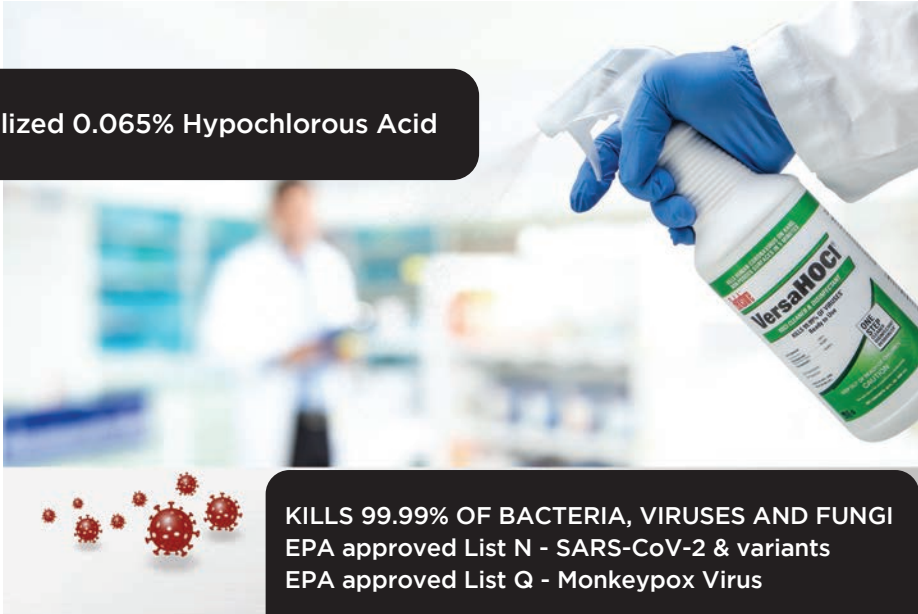
* The cleaning solution and mop cover should be changed when they are visibly dirty or show evidence of debris.

VERSAHOCI® ONE STEP CLEANER AND DISINFECTANT



STERILE

Stabilized 0.065% Hypochlorous Acid



KILLS 99.99% OF BACTERIA, VIRUSES AND FUNGI
EPA approved List N - SARS-CoV-2 & variants
EPA approved List Q - Monkeypox Virus

VersaHOCI® is an EPA registered, RTU (ready to use) one-step cleaner, disinfectant, and deodorizer. Made in the USA with no preservatives or fragrances, Berkshire's VersaHOCI® is a powerful and safer disinfectant alternative for cleaning and disinfecting needs. Non-toxic with low odor and low residue, VersaHOCI® establishes the safest standards in disinfectant technology. With an active ingredient of 0.065% hypochlorous acid, it's non-corrosive and effective on hard, non-porous surfaces. This versatile disinfectant is ideal for use in controlled environments such as labs, cleanrooms, compounding pharmacies, and manufacturing facilities and can also be used in areas such as hospitals, clinics, healthcare facilities, schools, and government and office buildings.

FEATURES	BENEFITS
Kills 99.99% of bacteria, viruses, and fungi	• Kills common microbiological contaminations on surfaces
Contains no quaternary ammonium, surfactant, alcohols, or organic solvents	• Very low residue, saving time on residue removal • Wide range of material compatibility
No hazard classification	• No strong odor provides good user acceptability • No special disposal is required
Bottles double bagged	• Facilitates transfer disinfection into cleanroom
Not classed as corrosive	• Can be used safely on all hard, non-porous surfaces
Ready to Use	• No mixing required
Sterile version is 0.2 µm filtered into pre-irradiated containers under Grade A unidirectional airflow in a Grade B/ISO Class 5 cleanroom.	• Sterile filled and provided double bagged for easy transfer into critical environments. Product certificate provided with each case.

H2O2 VS. HOCl

DISINFECTANT COMPARISON CHART

VERSAHOCI™ A SAFER DISINFECTANT

VERSAHOCI® ONE STEP CLEANER AND DISINFECTANT

ORGANISM	IDENTITY	CONTACT TIME
Bactericidal		
Pseudomonas aeruginosa	ATCC 15442	5 minutes
Staphylococcus aureus	ATCC 6358	5 minutes
Micrococcus luteus	ATCC 14408	3 minutes
Fungicidal		
Trichophyton interdigitale	ATCC 9533	3 minutes
Virucidal		
Human Adenovirus Type 5	ATCC VR-5, Strain Adenoid 75	5 minutes
Human Coronavirus	ATCC VR-740	5 minutes
Rhinovirus Type 37	ATCC VR-1607, Strain 151-1	3 minutes
Norovirus	ATCC VR-782, F-9 Strain	3 minutes

All organisms are tested with EPA-approved, standardized tests, demonstrating at least 4-log reduction.

Product Application

- Controlled environments and general institutional/industrial cleaning: Broad-spectrum efficacy (bacteria, viruses, fungi) and one-step cleaner and disinfectant.
- Reduce safety concerns in controlled environments: low residue product.
- Sensitive surfaces and equipment: Good surface compatibility offers versatility and is not damaging.
- Healthcare and long-term care facilities: One step, ready to use effectively and efficiently clean and disinfect near-patient surfaces and equipment.
- Hospitality and school environments: No harsh chemicals, toxins, or added fragrances provide flexibility for use.

Order Information

Product	Number	Size (Net Contents)	Bottles/Case
VersaHOCI® Disinfectant Spray	VHOCL1Q	32 Fl. Oz.	1
VersaHOCI® Disinfectant Spray	VHOCL6Q	32 Fl. Oz.	6
VersaHOCI® Disinfectant Spray	VHOCL4G	512 Fl. Oz.	4
VersaHOCI® Disinfectant Spray	VHOCL6QST	32 Fl. Oz.	6



ORDER HERE



EZ BLEACH™ DISINFECTANT TABLETS



EPA REGISTERED

NaDCC - Each rapidly dissolving 48.21% sodium dichloro-s-triazinetrione tablet is the equivalent of 29% available chlorine, a broad spectrum and sporicidal disinfectant. 1 tub of 900 (5g) tablets will produce 180 gallons of liquid bleach.

ADVANTAGES

- No harsh fumes for the end user
- Less corrosive to surfaces compared to liquid bleach
- Neutral and consistent pH levels
- Made in the USA and EPA registered
- Tablets have a 3 year shelf life
- Flexibility - Easily control the level of dilution to match your specific disinfectant requirements.
- Safe & convenient - No handling or measuring concentrated hazardous liquids

RESULTS

- Kills C. difficile spores in 10 minutes
- 99.9% effective against respiratory syncytial viruses and influenza H1N1 (colds and flu)
- Better than liquid bleach:
 - more sustainable
 - easier to handle and store
 - stable formulation
- Use as a sanitizer, broad-spectrum disinfectant and/or sporicide

APPLICATIONS

- A replacement for liquid bleach solutions
- Chemically compatible with Berkshire cleanroom wipes

ORDER INFORMATION

SKU	PRODUCT	PACKAGING
EZBDT101	EZ BLEACH DISINFECTANT TABLETS	900 TABLETS PER TUB*

* Approximate count



KILLS
99.999%
OF GERMS



LESS
PACKAGING
WASTE



pH NEUTRAL:
GENTLE ON
SURFACES



NO HARSH
FUMES

EPA List N approved - meets the EPA's criteria for use against SARS-CoV-2, the virus that causes COVID-19.

TABLET GUIDE FOR SPORICIDE (1988PPM)

16 oz
1 TABLET



32 oz
2 TABLETS



1 GAL
5.25 TABLETS





CONTAMINATION CONTROL PRODUCT CATALOG